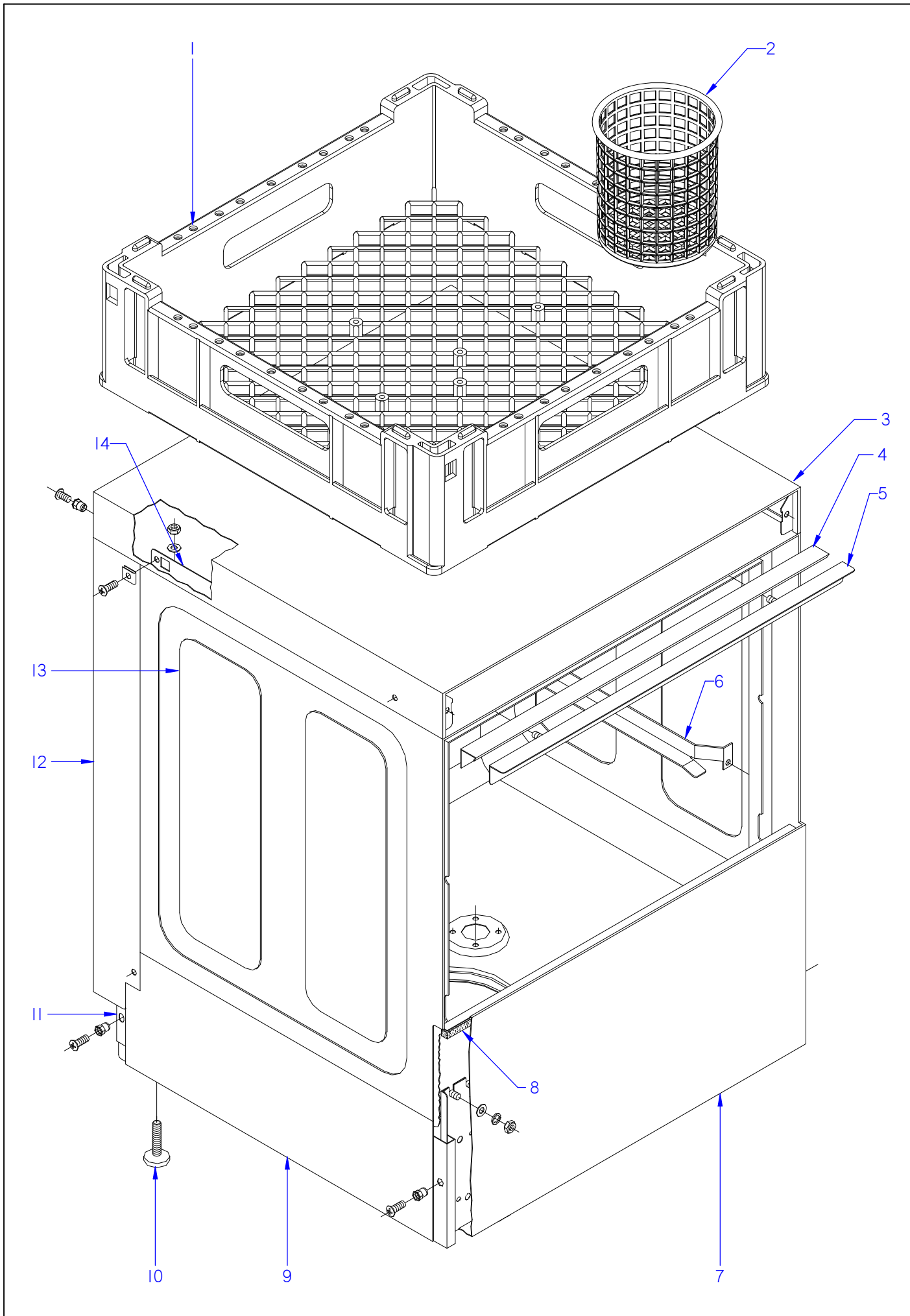

DESPIECE TECNICO

**Lavavasos
Lave-verres
Glass-washer
Glaspülmaschinen
Lavabicchieri
Lavacopos**

**Modelos:
EASY-400
EASY-400 B
EASY-400 DD
EASY-400 DD UK
EASY-400 B DD UK**

Noviembre 2013 November

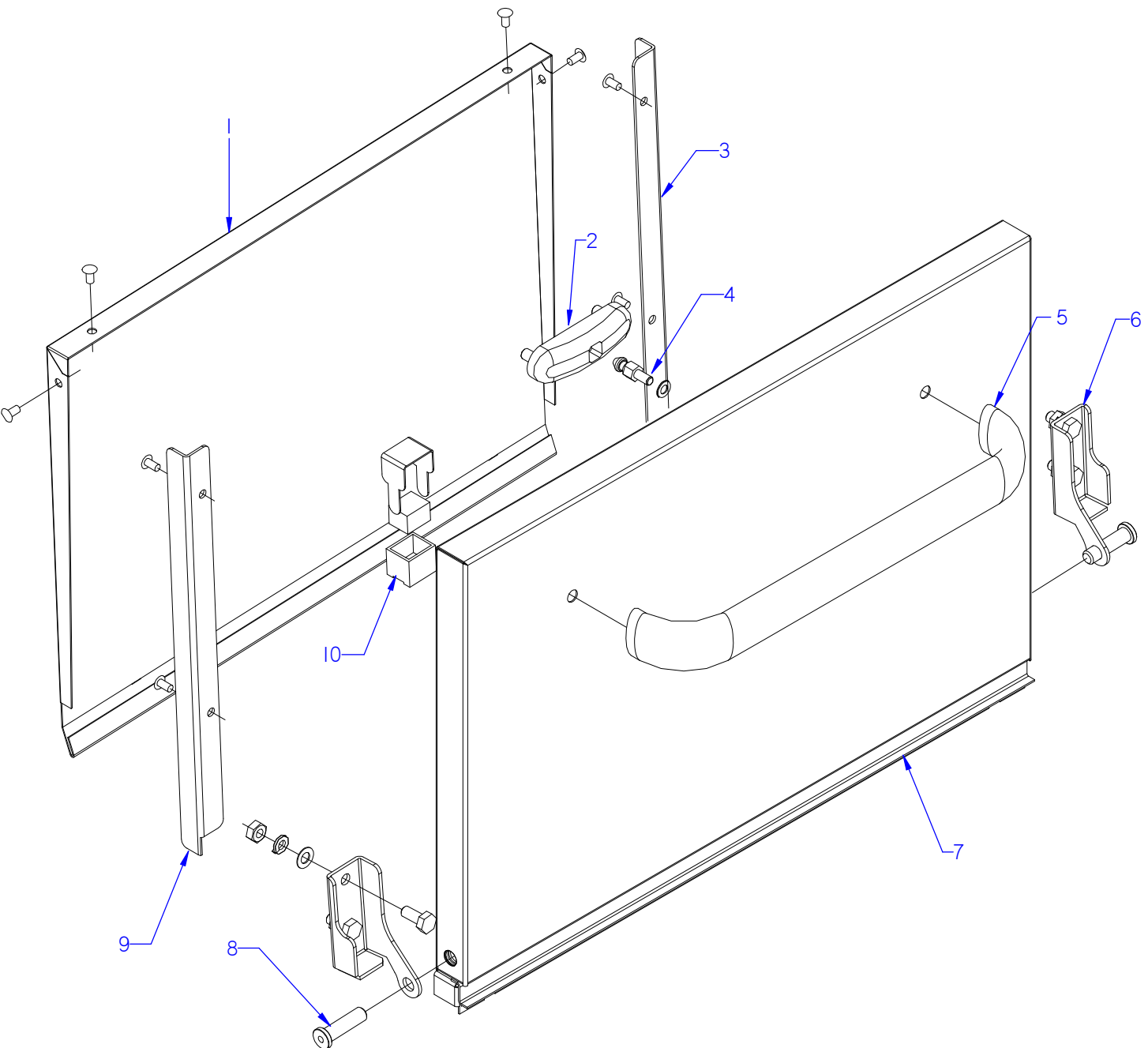
asber 



ITEM MARCADO EN COLOR = REPUESTO RECOMENDADO
 COLOURED ITEM = RECOMMENDED SPARE PART

| | | | | | | |
|---------|------------|---------|--------------------|------------------|--------|--|
| N plano | Firma | Fecha | Aparato | MUEBLE / FITTING | Lamina | |
| C-3154 | name Benja | 2013-11 | LAVAVASOS EASY-400 | | 1 | |

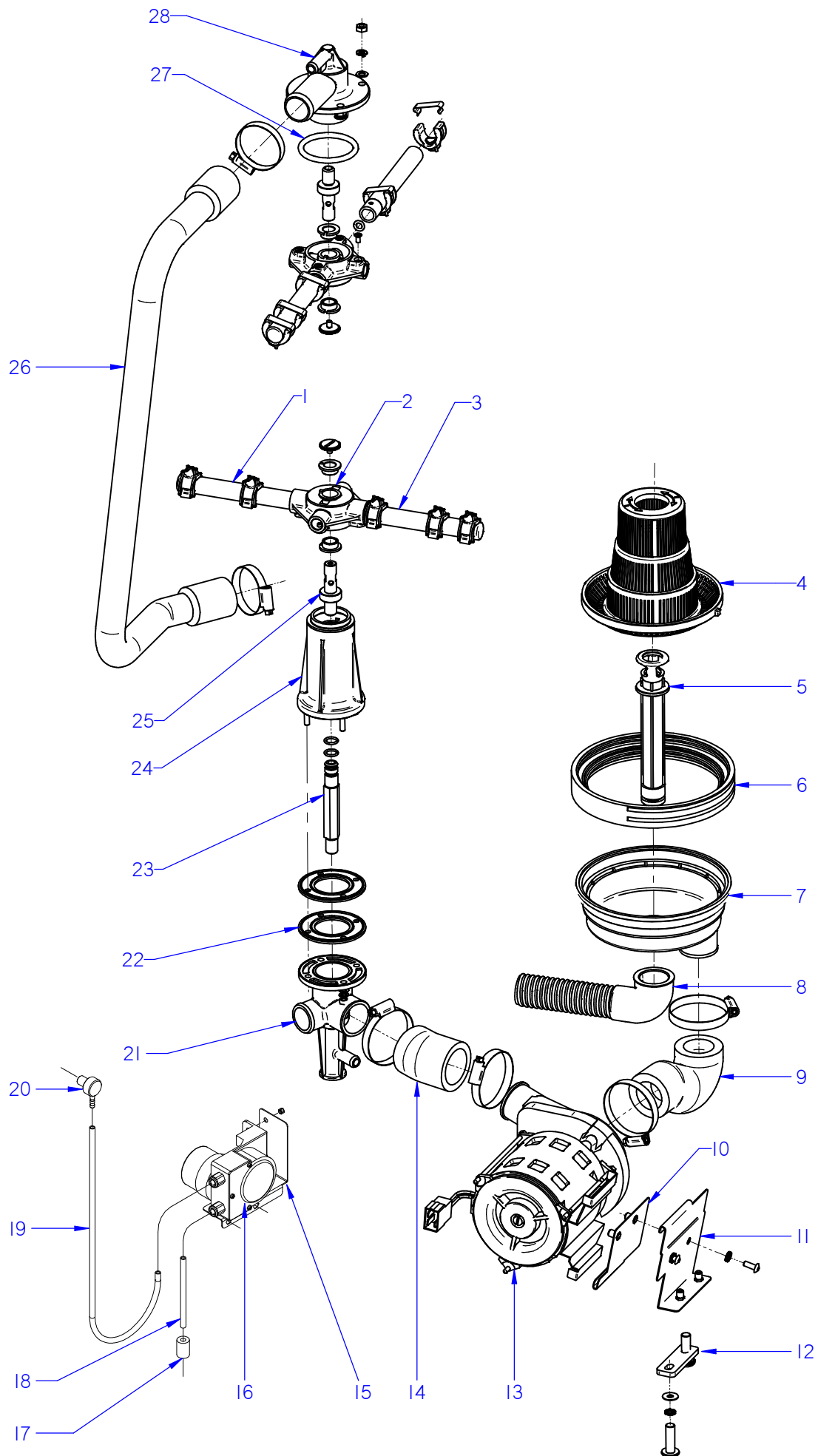
| MOD. | | LAVAVASOS / GLASSWASHER | ZONA / ZONE | MUEBLE / FITTING | | | | | PLANO DIAGRAM | | C-3154 | | |
|------|---------------------|--------------------------------|-----------------------------|------------------|------------|-------------|-------------------|---------------------|------------------|--|-------------------------|---------------------------|-------|
| ITEM | CODIGO REFERENCE | DENOMINACION | DENOMINATION | EASY-400 | EASY-400 B | EASY-400 DD | EASY-400 DD UK | EASY-400 B DD UK | | | ELIMINADO ELIMINATED | INTRODUCID. INTRODUCED | NOTAS |
| 1 | 12025069 | CESTILLO LVC-21 | BASKET LVC-21 | 1 | 1 | 1 | 1 | 1 | | | | | |
| 2 | 12025242 | CESTILLO CUBIERTOS | CUTLERY BASKET | 1 | 1 | 1 | 1 | 1 | | | | | |
| S/N | 12025030 | SUPLEMENT. PLATILLOS LAVAV.18 | SUPPLEMENT. GLASS WASHER 18 | 1 | 1 | 1 | 1 | 1 | | | | | |
| 3 | 12023092 | TAPA R20-C21 | COVER R20-C21 | 1 | 1 | 1 | 1 | 1 | | | | | |
| | Q152004000 | TORNILLO APLASTADO M5x13 A304 | FLAT HEADED BOLT M5x13 A304 | 8 | 8 | 8 | 8 | 8 | | | | | |
| 4 | 12025203 | PERFIL CAJA | BOX PROFILE | 1 | 1 | 1 | 1 | 1 | | | | | |
| 5 | 12004985 | ESCUADRA SUJECCION PERFIL | FASTENING BRACKET PROFILE | 1 | 1 | 1 | 1 | 1 | | | | | |
| | Q232040000 | ARANDELA A6 | WASHER A6 | 2 | 2 | 2 | 2 | 2 | | | | | |
| | Q262040000 | ARANDELA GROW. A6 A.304 | WASHER GROW. A6 A.304 | 2 | 2 | 2 | 2 | 2 | | | | | |
| | Q162040000 | TUERCA EXAGONAL M6 | HEXAGONAL NUT M6 | 2 | 2 | 2 | 2 | 2 | | | | | |
| 6 | 12023153 | GUIA CESTILLO DERECHA | RIGHT BASKET GUIDE | 1 | 1 | 1 | 1 | 1 | | | | | |
| S/Nº | 12023152 | GUIA CESTILLO IZQUIERDA | LEFT BASKET GUIDE | 1 | 1 | 1 | 1 | 1 | | | | | |
| | Q162040000 | TUERCA EXAGONAL M6 | HEXAGONAL NUT M6 | 4 | 4 | 4 | 4 | 4 | | | | | |
| 7 | 12023132 | PANEL FRONTAL C21 | FRONT PANEL C21 | 1 | 1 | 1 | 1 | 1 | | | | | |
| 8 | 12025280 | PERFIL INFERIOR CAJA | BOX LOWER PROFILE | 1 | 1 | 1 | 1 | 1 | | | | | |
| 9 | 12046707 | ARMAZON COMPLETO LVC-21 | COMPLETE FRAME LVC-21 | 1 | 1 | 1 | 1 | 1 | | | | | |
| 10 | 12024163 | PATA REGULABLE | ADJUSTABLE LEG | 4 | 4 | 4 | 4 | 4 | | | | | |
| 11 | 12022358 | PANEL POSTERIOR INFERIOR 20-21 | LOWER REAR PANEL 20-21 | 1 | 1 | 1 | 1 | 1 | | | | | |
| | Q152004000 | TORNILLO APLASTADO M5x13 A304 | FLAT HEADED BOLT M5x13 A304 | 3 | 3 | 3 | 3 | 3 | | | | | |
| 12 | 12023133 | PANEL POSTERIOR R20-C21 | REAR PANEL R20-C21 | 1 | 1 | 1 | 1 | 1 | | | | | |
| 13 | 12005004 | CAJA SOLDADA AD 21 | WELDED BOX AD 21 | 1 | 1 | 1 | 1 | 1 | | | | | |
| | Q162040000 | TUERCA EXAGONAL M6 | HEXAGONAL NUT M6 | 8 | 8 | 8 | 8 | 8 | | | | | |
| | Q232040000 | ARANDELA A6 | WASHER A6 | 8 | 8 | 8 | 8 | 8 | | | | | |
| | Q262040000 | ARANDELA GROW. A6 A.304 | WASHER GROW. A6 A.304 | 8 | 8 | 8 | 8 | 8 | | | | | |
| 14 | 12021879 | ESCUADRA AMARRE TAPA | COVER FASTENING BRACKET | 2 | 2 | 2 | 2 | 2 | | | | | |
| | Q232040000 | ARANDELA A6 | WASHER A6 | 4 | 4 | 4 | 4 | 4 | | | | | |
| | Q162040000 | TUERCA EXAGONAL M6 | HEXAGONAL NUT M6 | 4 | 4 | 4 | 4 | 4 | | | | | |
| | Q221012000 | TUERCA RAPIDA M,5 | RAPID NUT M,5 | 6 | 6 | 6 | 6 | 6 | | | | | |
| | | | | | | | | | | | | | |
| | | | | | | | | | | | | | |
| | | | | | | | | | | | | | |



ITEM MARCADO EN COLOR = REPUESTO RECOMENDADO
COLOURED ITEM = RECOMMENDED SPARE PART

| | | | | | |
|---------|-------|---------|--------------------|---------------|--------|
| N plano | Firma | Fecha | Aparato | PUERTA / DOOR | Lamina |
| C-3155 | | 2013-11 | LAVAVASOS EASY-400 | | 2 |
| | | | | | |

| MOD. | | LAVAVASOS / GLASSWASHER | | ZONA / ZONE | | PUERTA / DOOR | | | | | PLANO DIAGRAM | | C-3155 | |
|------|------------------|-----------------------------|---------------------------|-------------|------------|---------------|----------------|------------------|--|--|---------------|----------------------|------------------------|-------|
| ITEM | CODIGO REFERENCE | DENOMINACION | DENOMINATION | EASY-400 | EASY-400 B | EASY-400 DD | EASY-400 DD UK | EASY-400 B DD UK | | | | ELIMINADO ELIMINATED | INTRODUCID. INTRODUCED | NOTAS |
| 1 | 12004986 | CONTRAPUERTA COMPL. R20-C21 | COM. DOOR REVERSE R20-C21 | 1 | 1 | 1 | 1 | 1 | | | | | | |
| | Q412000000 | REMACHE TUBULAR 4 x 8 | TUBULAR RIVET 4 x 8 | 4 | 4 | 4 | 4 | 4 | | | | | | |
| 2 | 12003363 | CONJUNTO CIERRE PUERTAT-CO | LOCK UNIT PUERTAT-CO | 1 | 1 | 1 | 1 | 1 | | | | | | |
| | Q222012000 | TUERCA AUTOBLOCANTE M6 | SELF-LOCKING NUT M6 | 2 | 2 | 2 | 2 | 2 | | | | | | |
| 3 | 12022335 | GUIA DERECHA | RIGHT GUIDE | 1 | 1 | 1 | 1 | 1 | | | | | | |
| 4 | 12024235 | ENGANCHE CIERRE | LOCK LATCH | 1 | 1 | 1 | 1 | 1 | | | | | | |
| | Q232030000 | ARANDELA A5 | WASHER A5 | 1 | 1 | 1 | 1 | 1 | | | | | | |
| 5 | 12024101 | ASA NEGRA | BLACK HANDLE | 1 | 1 | 1 | 1 | 1 | | | | | | |
| | Q032041000 | TORNILLO ALOMADO M6X10 | CURVED SCREW M6x10 | 2 | 2 | 2 | 2 | 2 | | | | | | |
| | Q308002000 | ARANDELA DUBO A6 NYLON | WASHER DUBO A6 NYLON | 2 | 2 | 2 | 2 | 2 | | | | | | |
| 6 | 12022325 | BISAGRA DERECHA T-C. | RIGHT HINGE T-C. | 1 | 1 | 1 | 1 | 1 | | | | | | |
| S/Nº | 12022324 | BISAGRA IZQUIERDA T-C. | LEFT HINGE T-C. | 1 | 1 | 1 | 1 | 1 | | | | | | |
| | Q012042000 | TORNILLO EXAGONAL M6X15 | HEXAGONAL BOLT M6x15 | 4 | 4 | 4 | 4 | 4 | | | | | | |
| | Q232040000 | ARANDELA A6 | WASHER A6 | 4 | 4 | 4 | 4 | 4 | | | | | | |
| | Q262040000 | ARANDELA GROW. A6 A.304 | WASHER GROW. A6 A.304 | 4 | 4 | 4 | 4 | 4 | | | | | | |
| | Q162040000 | TUERCA EXAGONAL M6 | HEXAGONAL NUT M6 | 4 | 4 | 4 | 4 | 4 | | | | | | |
| 7 | 12005008 | PUERTA COMPLETA | COMPLETE DOOR | 1 | 1 | 1 | 1 | 1 | | | | | | |
| 8 | 12024071 | EJE PUERTA | DOOR SHAFT | 2 | 2 | 2 | 2 | 2 | | | | | | |
| 9 | 12021891 | GUIA IZQUIERDA | LEFT GUIDE | 1 | 1 | 1 | 1 | 1 | | | | | | |
| | Q412000000 | REMACHE TUBULAR 4 x 8 | TUBULAR RIVET 4 x 8 | 2 | 2 | 2 | 2 | 2 | | | | | | |
| 10 | 12024303 | IMAN | MAGNET | 1 | 1 | 1 | 1 | 1 | | | | | | |
| S/Nº | 12024094 | PROTECTOR IMAN | MAGNET PROTECTOR | 1 | 1 | 1 | 1 | 1 | | | | | | |
| | | | | | | | | | | | | | | |
| | | | | | | | | | | | | | | |
| | | | | | | | | | | | | | | |
| | | | | | | | | | | | | | | |
| | | | | | | | | | | | | | | |
| | | | | | | | | | | | | | | |
| | | | | | | | | | | | | | | |
| | | | | | | | | | | | | | | |
| | | | | | | | | | | | | | | |
| | | | | | | | | | | | | | | |
| | | | | | | | | | | | | | | |

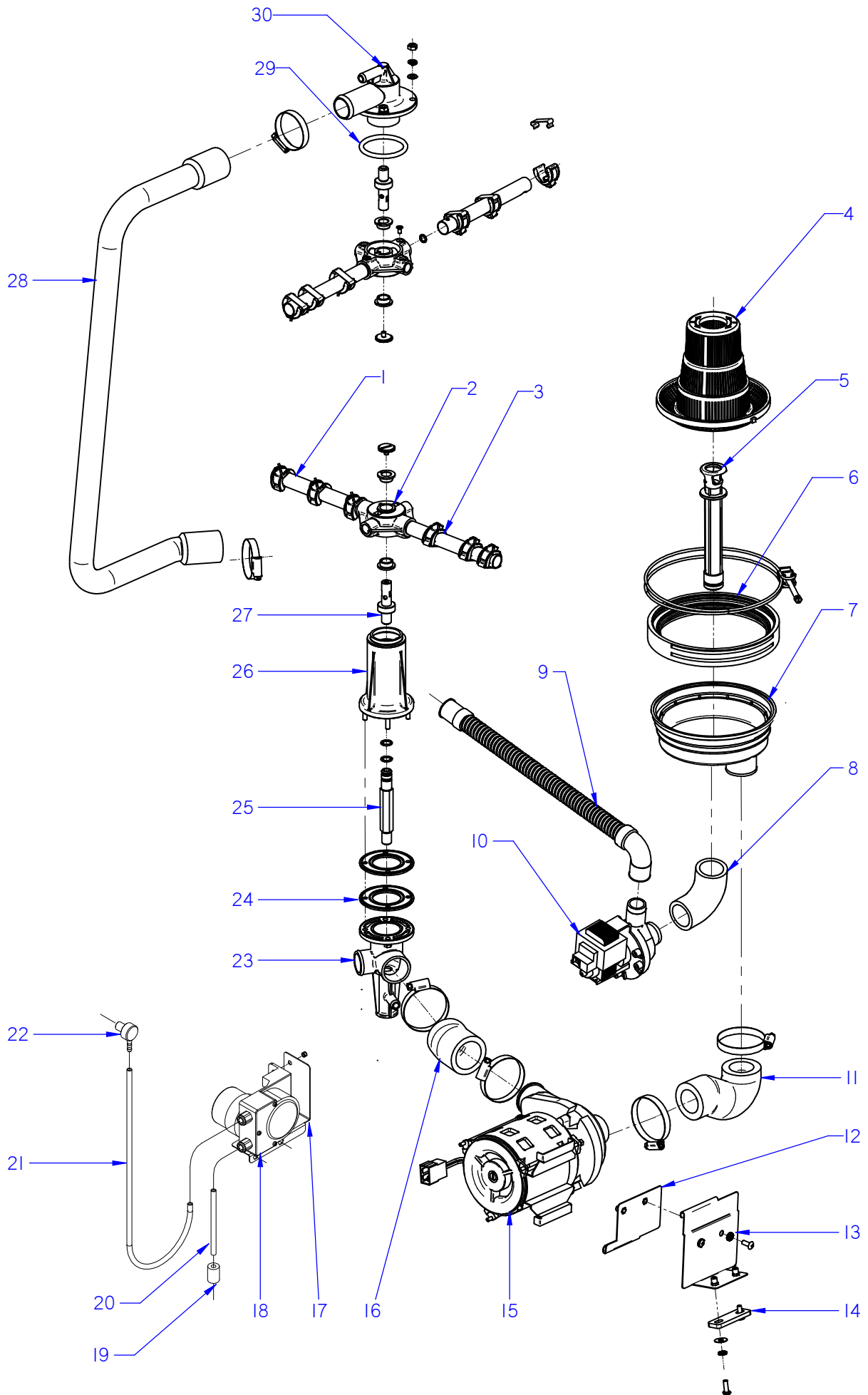


ITEM MARCADO EN COLOR = REPUESTO RECOMENDADO
 COLOURED ITEM = RECOMMENDED SPARE PART


| | | | | | | |
|---------|--------------------|---------|---------------------------------|--|--------|--|
| N plano | Firma | Fecha | Aparato | PARTE FUNCIONAL LAVADO / WASH FUNTIONAL PART | Lamina | |
| C-3156 | <i>(Signature)</i> | 2013-11 | LAVAVASOS EASY-400 / DD / DD UK | 3 | | |

| MOD. | LAVAVASOS / GLASSWASHER | ZONA / ZONE | PARTE FUNCIONAL LAVADO WASH FUNCTIONAL PART | | | | | | | PLANO DIAGRAM | C-3156 | | |
|------|-------------------------|-------------------------------|--|----------|-------------|-------------------|--|--|--|------------------|-------------------------|---------------------------|-------|
| ITEM | CODIGO CODE | DENOMINACION | NAME | EASY-400 | EASY-400 DD | EASY-400 DD UK | | | | | ELIMINADO ELIMINATED | INTRODUCID. INTRODUCED | NOTAS |
| 1 | 12022382 | RAMA LAVADO B | WASH B BRANCH | 2 | 2 | 2 | | | | | | | |
| | 12023732 | TOBERA LAVADO | WASH NOZZLE | 6 | 6 | 6 | | | | | | | |
| | 12023710 | ENGANCHE TOBERA LAVADO | WASH NOZZLE CATCH | 6 | 6 | 6 | | | | | | | |
| 2 | 12025216 | CRUCETA | CROSSPIECE | 2 | 2 | 2 | | | | | | | |
| | 12009829 | TORNILLO ESPECIAL M.5X0.8 | SPECIAL BOLT M.5X0.8 | 2 | 2 | 2 | | | | | | | |
| | 12024086 | CASQUILLO CRUCETA | CROSSPIECE BUSHING | 4 | 4 | 4 | | | | | | | |
| 3 | 12022381 | RAMA LAVADO A | WASH BRANCH A | 2 | 2 | 2 | | | | | | | |
| | 12023732 | TOBERA LAVADO | WASH NOZZLE | 6 | 6 | 6 | | | | | | | |
| | 12023710 | ENGANCHE TOBERA LAVADO | WASH NOZZLE CATCH | 6 | 6 | 6 | | | | | | | |
| 4 | 12025219 | FILTRO ALTO | HIGH FILTER | 1 | 1 | 1 | | | | | | | |
| 5 | 12025249 | ALIVIADERO | OVERFLOW | 1 | 1 | 1 | | | | | | | |
| S/Nº | 12010282 | JUNTA TORICA 25.4X20.2X2.6 | O-RING 25.4X20.2X2.6 | 1 | 1 | 1 | | | | | | | |
| 6 | 12024113 | JUNTA CUBETA | TRAY SEAL | 1 | 1 | 1 | | | | | | | |
| 7 | 12023617 | CUBETA | TRAY | 1 | 1 | 1 | | | | | | | |
| | Z400903000 | ABRAZADERA CUBETA | TRAY CLAMP | 1 | 1 | 1 | | | | | | | |
| 8 | 12024114 | MANGUERA DESAGÜE | DRAINAGE HOSE | 1 | 1 | 1 | | | | | | | |
| | Q901307000 | ABRAZADERA ELASTICA 37.7-39.7 | ELASTIC CLAMP 37.7-39.7 | 1 | 1 | 1 | | | | | | | |
| 9 | 12023670 | CODO ASPIRACION 1003115 | EXTRACTOR ELBOW 1003115 | 1 | 1 | 1 | | | | | | | |
| | Q881307000 | ABRAZADERA 40-60 | CLAMP 40-60 | 2 | 2 | 2 | | | | | | | |
| 10 | 12004976 | AMARRE MOTOBOMBA | MOTORPUMP FASTENING | 1 | 1 | 1 | | | | | | | |
| 11 | 12004987 | SOPORTE MOTOBOMBA | MOTOR PUMP SUPPORT | 1 | 1 | 1 | | | | | | | |
| | Q152004000 | TORNILLO APLASTADO M5x13 A304 | FLAT HEADED BOLT M5x13 A304 | 2 | 2 | 2 | | | | | | | |
| | Q242030000 | ARANDELA ABANICO A5 A.304 | FAN WASHER A5 A.304 | 2 | 2 | 2 | | | | | | | |
| 12 | 12024098 | PERFIL AMORTIGUADOR | SHOCK ABSORBER PROFILE | 1 | 1 | 1 | | | | | | | |
| | Q302022000 | ARANDELA 16x6x1,2 A304 | WASHER 16x6x1.2 A304 | 2 | 2 | 2 | | | | | | | |
| | Q032032000 | TORNILLO ALOMADO M5X15 | CURVED SCREW M5X15 | 2 | 2 | 2 | | | | | | | |
| 13 | 12023429 | MOTOBOMBA 230V AC 1N 50/60Hz | MOTOR PUMP 1N AC 230V 50/60 | 1 | 1 | 1 | | | | | | | |
| 14 | 12023607 | CODO IMPULSION 1003116 | IMPULSE ELBOW 1003116 | 1 | 1 | 1 | | | | | | | |
| | Q881307000 | ABRAZADERA 40-60 | CLAMP 40-60 | 2 | 2 | 2 | | | | | | | |
| 15 | 12022147 | SOPORTE DOSIF. DETERGENTE | DETERGENT DISP. SUPPORT | — | 1 | 1 | | | | | | | |
| | Q419005000 | REMACHE 4X8 ALMG3 / ALUMINIO | RIVET 4X8 ALMG3 / ALUMINIUM | — | 2 | 2 | | | | | | | |

| MOD. | LAVAVASOS / GLASSWASHER | | ZONA / ZONE | PARTE FUNCIONAL LAVADO WASH FUNCTIONAL PART | | | | | | | PLANO DIAGRAM | C-3156 | | |
|------|-------------------------|-------------------------------|------------------------------|--|------|----------|-------------|-------------------|--|--|------------------|--------|--|--|
| | ITEM | CODIGO CODE | | DENOMINACION | NAME | EASY-400 | EASY-400 DD | EASY-400 DD UK | | | | | | |
| 16 | 12024216 | DOSIFIC. DGTE REGULABLE G300 | DETERGENT DISP. ADJUST. G300 | | 1 | 1 | | | | | | | | |
| | Q012031000 | TORNIL.EXAGONAL M5X10 A.304 | HEX BOLT M5X10 A.304 | | 2 | 2 | | | | | | | | |
| | Q232030000 | ARANDELA A5 | WASHER A5 | | 2 | 2 | | | | | | | | |
| 17 | 12024353 | PESO FILTRO | FILTER WEIGHT | | 1 | 1 | | | | | | | | |
| 18 | 12024139 | CONDUCTO ASPIRACION | EXTRACTOR PIPE | | 1 | 1 | | | | | | | | |
| 19 | 11000079 | CONDUCTO DOSIF. TRANSPAREN | TRANSPAR. EXTRACTOR PIPE | | 1 | 1 | | | | | | | | |
| 20 | 12024531 | PASAMUROS INOX DETERGENTE | INOX DETERGENT WALL BUSHING | | 1 | 1 | | | | | | | | |
| 21 | 12024703 | PASAMUROS CESTO CUADRADO | SQUARE BASKET WALL BUSHING | 1 | 1 | 1 | | | | | | | | |
| | Q232030000 | ARANDELA A5 | WASHER A5 | 4 | 4 | 4 | | | | | | | | |
| | Q262030000 | ARANDELA GROW. A5 A.304 | WASHER GROW. A5 A.304 | 4 | 4 | 4 | | | | | | | | |
| | Q162030000 | TUERCA EXAGONAL M5 | HEXAGONAL NUT M5 | 4 | 4 | 4 | | | | | | | | |
| 22 | 12023533 | JUNTA ESTANQUE. 1003113 | SEAL. 1003113 | 2 | 2 | 2 | | | | | | | | |
| 23 | 12023801 | EMPALME ACLARADO | RINSE CONNECTION | 1 | 1 | 1 | | | | | | | | |
| | 12009911 | JUNTA TORICA 10,82x14,38x1,78 | O-RING 10.82x14.38x1.78 | 2 | 2 | 2 | | | | | | | | |
| 24 | 12025133 | SOPORTE INFERIOR CUADRO | LOWER SUPPORT BRACKET | 1 | 1 | 1 | | | | | | | | |
| 25 | 12025114 | EJE | SHAFT | 2 | 2 | 2 | | | | | | | | |
| 26 | 12025154 | ARBOL LAVADO | WASH CAM | 1 | 1 | 1 | | | | | | | | |
| | Q881306000 | ABRAZADERA 32-50L | CLAMP 32-50L | 2 | 2 | 2 | | | | | | | | |
| 27 | 12010079 | JUNTA TORICA 50,17X60,83X5,3 | O-RING 50.17X60.83X5.3 | 1 | 1 | 1 | | | | | | | | |
| 28 | 12023590 | SOPORTE DISTRIB. SUPERIOR | UPPER DISTRIB. SUPPORT | 1 | 1 | 1 | | | | | | | | |
| | Q232040000 | ARANDELA A6 | WASHER A6 | 4 | 4 | 4 | | | | | | | | |
| | Q262040000 | ARANDELA GROW. A6 A.304 | WASHER GROW. A6 A.304 | 4 | 4 | 4 | | | | | | | | |
| | Q162040000 | TUERCA EXAGONAL M6 | HEXAGONAL NUT M6 | 4 | 4 | 4 | | | | | | | | |
| | | | | | | | | | | | | | | |
| | | | | | | | | | | | | | | |
| | | | | | | | | | | | | | | |
| | | | | | | | | | | | | | | |
| | | | | | | | | | | | | | | |
| | | | | | | | | | | | | | | |

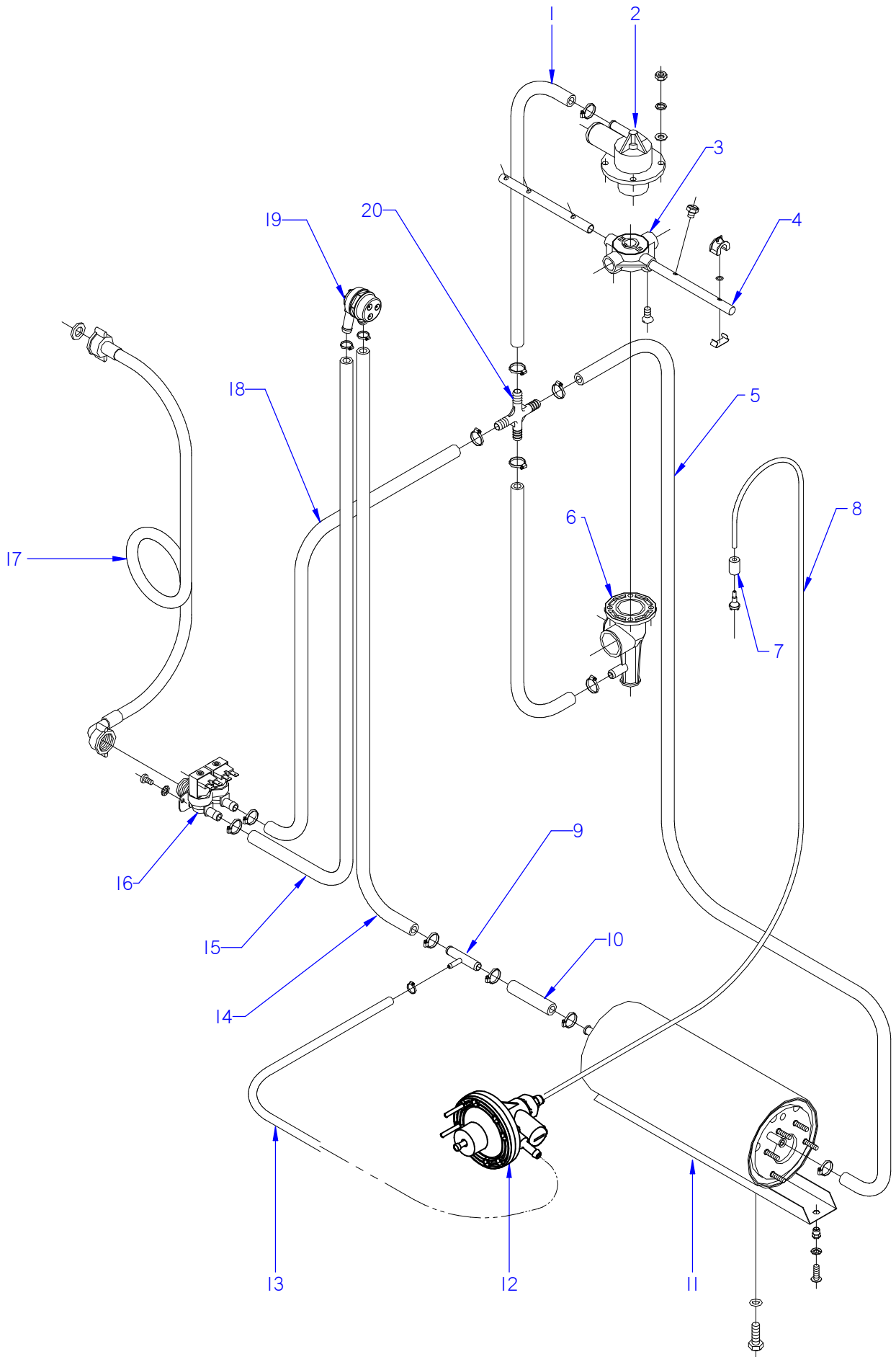


ITEM MARCADO EN COLOR = REPUESTO RECOMENDADO
COLOURED ITEM = RECOMMENDED SPARE PART

| | | | | | | |
|---------|--------------------|---------|--------------------------------|--|--------|---|
| N plano | Firma | Fecha | Aparato | PARTE FUNCIONAL LAVADO / WASH FUNTIONAL PART | Lamina | |
| C-3157 | <i>(Signature)</i> | 2013-11 | LAVAVASOS EASY-400 B / B DD UK | | 4 | asber  |

| MOD. | | LAVAVASOS / GLASSWASHER | | ZONA / ZONE | | PARTE FUNCIONAL LAVADO WASH FUNCTIONAL PART | | | | | | PLANO DIAGRAM | | C-3157 | |
|------|----------------|-------------------------------|-----------------------------|-------------|---------------------|--|--|--|--|--|--|-------------------------|---------------------------|--------|--|
| ITEM | CODIGO CODE | DENOMINACION | NAME | EASY-400 B | EASY-400 B DD UK | | | | | | | ELIMINADO ELIMINATED | INTRODUCID. INTRODUCED | NOTAS | |
| 1 | 12022382 | RAMA LAVADO B | WASH B BRANCH | 2 | 2 | | | | | | | | | | |
| | 12023732 | TOBERA LAVADO | WASH NOZZLE | 6 | 6 | | | | | | | | | | |
| | 12023710 | ENGANCHE TOBERA LAVADO | WASH NOZZLE CATCH | 6 | 6 | | | | | | | | | | |
| 2 | 12025216 | CRUCETA | CROSSPIECE | 2 | 2 | | | | | | | | | | |
| | 12009829 | TORNILLO ESPECIAL M.5X0.8 | SPECIAL BOLT M.5X0.8 | 2 | 2 | | | | | | | | | | |
| | 12024086 | CASQUILLO CRUCETA | CROSSPIECE BUSHING | 4 | 4 | | | | | | | | | | |
| 3 | 12022381 | RAMA LAVADO A | WASH BRANCH A | 2 | 2 | | | | | | | | | | |
| | 12023732 | TOBERA LAVADO | WASH NOZZLE | 6 | 6 | | | | | | | | | | |
| | 12023710 | ENGANCHE TOBERA LAVADO | WASH NOZZLE CATCH | 6 | 6 | | | | | | | | | | |
| 4 | 12025219 | FILTRO ALTO | HIGH FILTER | 1 | 1 | | | | | | | | | | |
| 5 | 12025249 | ALIVIADERO | OVERFLOW | 1 | 1 | | | | | | | | | | |
| S/Nº | 12010282 | JUNTA TORICA 25.4X20.2X2.6 | O-RING 25.4X20.2X2.6 | 1 | 1 | | | | | | | | | | |
| 6 | 12024113 | JUNTA CUBETA | TRAY SEAL | 1 | 1 | | | | | | | | | | |
| 7 | 12023617 | CUBETA | TRAY | 1 | 1 | | | | | | | | | | |
| | Z400903000 | ABRAZADERA CUBETA | TRAY CLAMP | 1 | 1 | | | | | | | | | | |
| 8 | 12094016 | CONDUCTO ASPIRACION BOMBA | PUMP EXTRACTOR PIPE | 1 | 1 | | | | | | | | | | |
| 9 | 12023666 | MANGUERA DESAGÜE | DRAINAGE HOSE | 1 | 1 | | | | | | | | | | |
| | 12009997 | ABRAZADERA Fe Zn 25-40MM DIN | CLAMP Fe Zn 25-40MM DIN3017 | 3 | 3 | | | | | | | | | | |
| 10 | 12094265 | MOTOBOMBA 230V AC 1N 50/60Hz | MOTOR PUMP 1N AC 230V 50/60 | 1 | 1 | | | | | | | | | | |
| 11 | 12023670 | CODO ASPIRACION 1003115 | EXTRACTOR ELBOW 1003115 | 1 | 1 | | | | | | | | | | |
| | Q881307000 | ABRAZADERA 40-60 | CLAMP 40-60 | 2 | 2 | | | | | | | | | | |
| 12 | 12004976 | AMARRE MOTOBOMBA | MOTORPUMP FASTENING | 1 | 1 | | | | | | | | | | |
| 13 | 12004987 | SOPORTE MOTOBOMBA | MOTOR PUMP SUPPORT | 1 | 1 | | | | | | | | | | |
| | Q152004000 | TORNILLO APLASTADO M5x13 A304 | FLAT HEADED BOLT M5x13 A304 | 2 | 2 | | | | | | | | | | |
| | Q242030000 | ARANDELA ABANICO A5 A.304 | FAN WASHER A5 A.304 | 2 | 2 | | | | | | | | | | |
| 14 | 12024098 | PERFIL AMORTIGUADOR | SHOCK ABSORBER PROFILE | 1 | 1 | | | | | | | | | | |
| | Q302022000 | ARANDELA 16x6x1,2 A304 | WASHER 16x6x1.2 A304 | 2 | 2 | | | | | | | | | | |
| | Q032032000 | TORNILLO ALOMADO M5X15 | CURVED SCREW M5X15 | 2 | 2 | | | | | | | | | | |
| 15 | 12023429 | MOTOBOMBA 230V AC 1N 50/60Hz | MOTOR PUMP 1N AC 230V 50/60 | 1 | 1 | | | | | | | | | | |
| 16 | 12023607 | CODO IMPULSION 1003116 | IMPULSE ELBOW 1003116 | 1 | 1 | | | | | | | | | | |
| | Q881307000 | ABRAZADERA 40-60 | CLAMP 40-60 | 2 | 2 | | | | | | | | | | |

| MOD. | | LAVAVASOS / GLASSWASHER | | ZONA / ZONE | | PARTE FUNCIONAL LAVADO WASH FUNCTIONAL PART | | | | | | PLANO DIAGRAM | | C-3157 | |
|------|----------------|-------------------------------|------------------------------|-------------|---------------------|--|--|--|--|--|--|-------------------------|---------------------------|--------|--|
| ITEM | CODIGO CODE | DENOMINACION | NAME | EASY-400 B | EASY-400 B DD UK | | | | | | | ELIMINADO ELIMINATED | INTRODUCID. INTRODUCED | NOTAS | |
| 17 | 12022147 | SOPORTE DOSIF. DETERGENTE | DETERGENT DISP. SUPPORT | | 1 | | | | | | | | | | |
| | Q419005000 | REMACHE 4X8 ALMG3 / ALUMINIO | RIVET 4X8 ALMG3 / ALUMINIUM | | 2 | | | | | | | | | | |
| 18 | 12024216 | DOSIFIC. DGTE REGULABLE G300 | DETERGENT DISP. ADJUST. G300 | | 1 | | | | | | | | | | |
| | Q012031000 | TORNIL. EXAGONAL M5X10 A.304 | HEX BOLT M5X10 A.304 | | 2 | | | | | | | | | | |
| | Q232030000 | ARANDELA A5 | WASHER A5 | | 2 | | | | | | | | | | |
| 19 | 12024353 | PESO FILTRO | FILTER WEIGHT | | 1 | | | | | | | | | | |
| 20 | 12024139 | CONDUCTO ASPIRACION | EXTRACTOR PIPE | | 1 | | | | | | | | | | |
| 21 | 11000079 | CONDUCTO DOSIF. TRANSPAREN | TRANSPAR. EXTRACTOR PIPE | | 1 | | | | | | | | | | |
| 22 | 12024531 | PASAMUROS INOX DETERGENTE | INOX DETERGENT WALL BUSHING | | 1 | | | | | | | | | | |
| 23 | 12024703 | PASAMUROS CESTO CUADRADO | SQUARE BASKET WALL BUSHING | 1 | 1 | | | | | | | | | | |
| | Q232030000 | ARANDELA A5 | WASHER A5 | 4 | 4 | | | | | | | | | | |
| | Q262030000 | ARANDELA GROW. A5 A.304 | WASHER GROW. A5 A.304 | 4 | 4 | | | | | | | | | | |
| | Q162030000 | TUERCA EXAGONAL M5 | HEXAGONAL NUT M5 | 4 | 4 | | | | | | | | | | |
| 24 | 12023533 | JUNTA ESTANQUE. 1003113 | SEAL. 1003113 | 2 | 2 | | | | | | | | | | |
| 25 | 12023801 | EMPALME ACLARADO | RINSE CONNECTION | 1 | 1 | | | | | | | | | | |
| | 12009911 | JUNTA TORICA 10,82x14,38x1,78 | O-RING 10.82x14.38x1.78 | 2 | 2 | | | | | | | | | | |
| 26 | 12025133 | SOPORTE INFERIOR CUADRO | LOWER SUPPORT BRACKET | 1 | 1 | | | | | | | | | | |
| 27 | 12025114 | EJE | SHAFT | 2 | 2 | | | | | | | | | | |
| 28 | 12025154 | ARBOL LAVADO | WASH CAM | 1 | 1 | | | | | | | | | | |
| | Q881306000 | ABRAZADERA 32-50L | CLAMP 32-50L | 2 | 2 | | | | | | | | | | |
| 29 | 12010079 | JUNTA TORICA 50,17X60,83X5,3 | O-RING 50.17X60.83X5.3 | 1 | 1 | | | | | | | | | | |
| 30 | 12023590 | SOPORTE DISTRIB. SUPERIOR | UPPER DISTRIB. SUPPORT | 1 | 1 | | | | | | | | | | |
| | Q232040000 | ARANDELA A6 | WASHER A6 | 4 | 4 | | | | | | | | | | |
| | Q262040000 | ARANDELA GROW. A6 A.304 | WASHER GROW. A6 A.304 | 4 | 4 | | | | | | | | | | |
| | Q162040000 | TUERCA EXAGONAL M6 | HEXAGONAL NUT M6 | 4 | 4 | | | | | | | | | | |
| | | | | | | | | | | | | | | | |
| | | | | | | | | | | | | | | | |
| | | | | | | | | | | | | | | | |
| | | | | | | | | | | | | | | | |
| | | | | | | | | | | | | | | | |
| | | | | | | | | | | | | | | | |

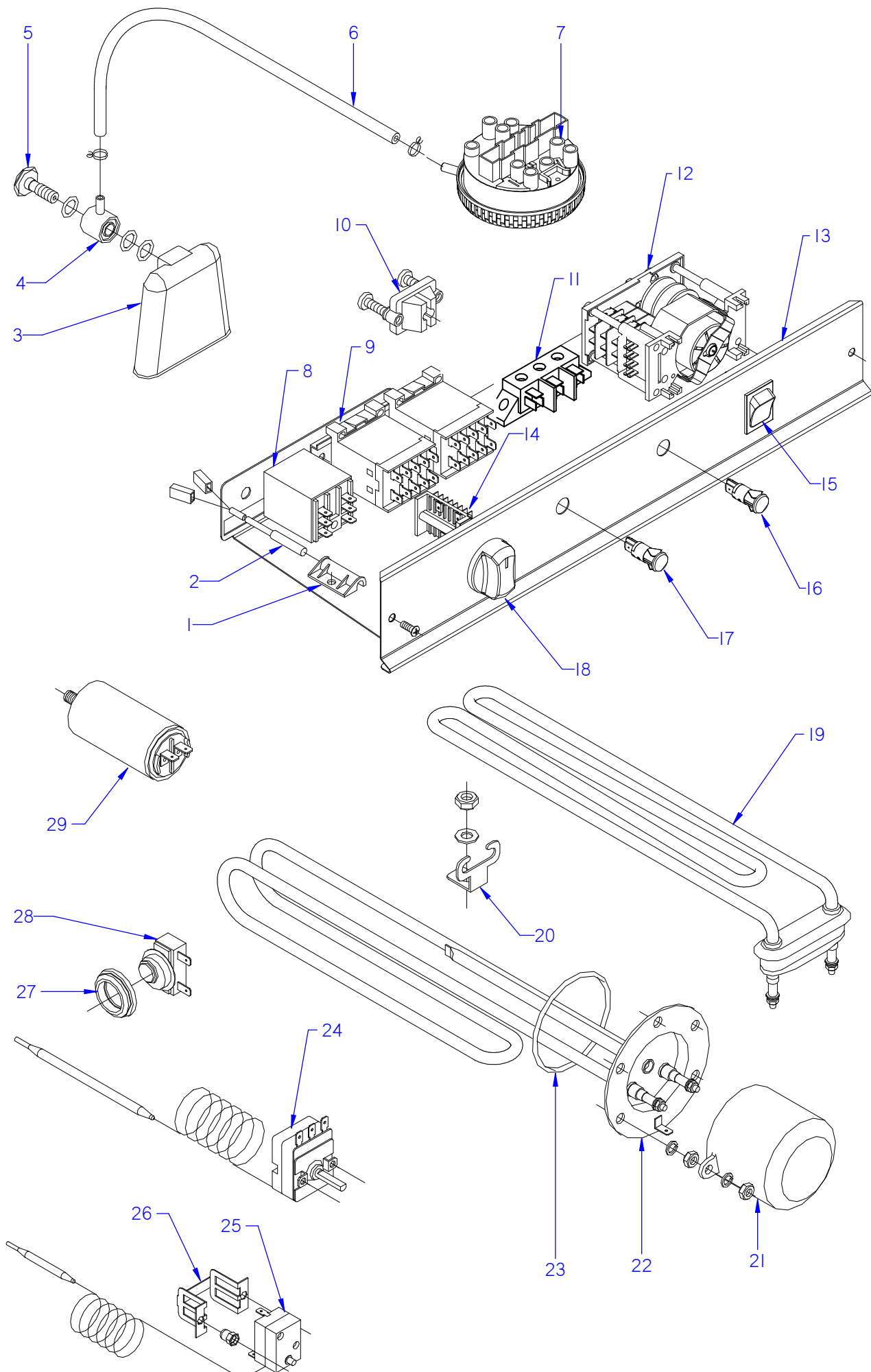


ITEM MARCADO EN COLOR = REPUESTO RECOMENDADO
 COLOURED ITEM = RECOMMENDED SPARE PART

| | | | | | | |
|---------|--------------------|---------|--------------------|--|--------|--|
| N plano | Firma | Fecha | Aparato | PARTE FUNCIONAL ACLARADO / RINSE FUNCTIONAL PART | Lamina | |
| C-3158 | <i>(Signature)</i> | 2013-11 | LAVAVASOS EASY-400 | | 5 | |

| MOD. | | LAVAVASOS / GLASSWASHER | | ZONA / ZONE | | PARTE FUNCIONAL ACLARADO RINSE FUNCTIONAL PART | | | | | PLANO DIAGRAM | | C-3158 | |
|------|---------------------|------------------------------|----------------------------|-------------|------------|---|-------------------|---------------------|--|--|------------------|-------------------------|---------------------------|-------|
| ITEM | CODIGO REFERENCE | DENOMINACION | DENOMINATION | EASY-400 | EASY-400 B | EASY-400 DD | EASY-400 DD UK | EASY-400 B DD UK | | | | ELIMINADO ELIMINATED | INTRODUCID. INTRODUCED | NOTAS |
| 1 | 11000083 | TUBO GOMA NEGRA Ø17*10 | BLACK RUBBER PIPE Ø17*10 | 2 | 2 | 2 | 2 | 2 | | | | | | |
| | Q881302000 | ABRAZADERA 12/20 | CLAMP 12/20 | 6 | 6 | 6 | 6 | 6 | | | | | | |
| 2 | 12023590 | SOPORTE DISTRIBUIDOR SUPER. | UPPER DISTRIBUTION SUPPORT | 1 | 1 | 1 | 1 | 1 | | | | | | |
| | Q232040000 | ARANDELA A6 | WASHER A6 | 4 | 4 | 4 | 4 | 4 | | | | | | |
| | Q262040000 | ARANDELA GROW. A6 A.304 | WASHER GROW. A6 A.304 | 4 | 4 | 4 | 4 | 4 | | | | | | |
| | Q162040000 | TUERCA EXAGONAL M6 | HEXAGONAL NUT M6 | 4 | 4 | 4 | 4 | 4 | | | | | | |
| 3 | 12025216 | CRUCETA | CROSSPIECE | 2 | 2 | 2 | 2 | 2 | | | | | | |
| | 12009829 | TORNILLO ESPECIAL M.5X0.8 | SPECIAL BOLT M.5X0.8 | 2 | 2 | 2 | 2 | 2 | | | | | | |
| | 12024086 | CASQUILLO CRUCETA | CROSSPIECE BUSHING | 4 | 4 | 4 | 4 | 4 | | | | | | |
| 4 | 12023525 | RAMA ACLARADO B | RINSE BRANCH B | 2 | 2 | 2 | 2 | 2 | | | | | | |
| S/Nº | 12023526 | RAMA ACLARADO A | RINSE BRANCH A | 2 | 2 | 2 | 2 | 2 | | | | | | |
| | 12024077 | TOBERA ACLARADO | RINSE NOZZLE | 10 | 10 | 10 | 10 | 10 | | | | | | |
| | 12024006 | ENGANCHE TOB. ACLA.19728 | NOZZLE LATCH RINSE.19728 | 10 | 10 | 10 | 10 | 10 | | | | | | |
| | 12009912 | JUNTA TORICA 5,28X8,84X1,78 | O-RING 5.28X8.84X1.78 | 10 | 10 | 10 | 10 | 10 | | | | | | |
| 5 | 11000083 | TUBO GOMA NEGRA Ø17*10 | BLACK RUBBER PIPE Ø17*10 | 1 | 1 | 1 | 1 | 1 | | | | | | |
| | Q881302000 | ABRAZADERA 12/20 | CLAMP 12/20 | 1 | 1 | 1 | 1 | 1 | | | | | | |
| 6 | 12024703 | PASAMUROS CESTO CUADRADO | SQUARE BASKET WALL BUSHING | 1 | 1 | 1 | 1 | 1 | | | | | | |
| | Q232030000 | ARANDELA A5 | WASHER A5 | 4 | 4 | 4 | 4 | 4 | | | | | | |
| | Q262030000 | ARANDELA GROW. A5 A.304 | WASHER GROW. A5 A.304 | 4 | 4 | 4 | 4 | 4 | | | | | | |
| | Q162030000 | TUERCA EXAGONAL M5 | HEXAGONAL NUT M5 | 4 | 4 | 4 | 4 | 4 | | | | | | |
| 7 | 12024353 | PESO FILTRO | FILTER WEIGHT | 1 | 1 | 1 | 1 | 1 | | | | | | |
| 8 | 12025178 | CONDUCTO ABRILL. AZUL Ø4xØ6 | RINSE BLUE DUCT Ø4xØ6 | 1 | 1 | 1 | 1 | 1 | | | | | | |
| 9 | 12025288 | TOMA PRESION | PRESSURE INTAKE | 1 | 1 | 1 | 1 | 1 | | | | | | |
| 10 | 11000083 | TUBO GOMA NEGRA Ø17*10 | BLACK RUBBER PIPE Ø17*10 | 1 | 1 | 1 | 1 | 1 | | | | | | |
| | Q881302000 | ABRAZADERA 12/20 | CLAMP 12/20 | 4 | 4 | 4 | 4 | 4 | | | | | | |
| 11 | 12022893 | CALDERIN LAVAVASOS CO.10-2 | GLASSWASHER BOILER CO.10-2 | 1 | 1 | 1 | 1 | 1 | | | | | | |
| 12 | 12045206 | DOSIFICADOR ABRILLANTAD. AQU | AQUA RINSE AID DISPENSER | 1 | 1 | 1 | 1 | 1 | | | | | | |
| 13 | 11000070 | TUBO GOMA NEGRA Ø10,5*5 | BLACK RUBBER PIPE Ø10,5*5 | 1 | 1 | 1 | 1 | 1 | | | | | | |
| | Q881308000 | ABRAZADERA 8/14 | CLAMP 8/14 | 2 | 2 | 2 | 2 | 2 | | | | | | |
| 14 | 11000083 | TUBO GOMA NEGRA Ø17*10 | BLACK RUBBER PIPE Ø17*10 | 1 | 1 | 1 | 1 | 1 | | | | | | |
| | Q881302000 | ABRAZADERA 12/20 | CLAMP 12/20 | 2 | 2 | 2 | 2 | 2 | | | | | | |

| ITEM | CODIGO REFERENCE | DENOMINACION | DENOMINATION | EASY-400 | EASY-400 B | EASY-400 DD | EASY-400 DD UK | EASY-400 B DD UK | | | | | ELIMINADO ELIMINATED | INTRODUCID. INTRODUCED | NOTAS |
|------|---------------------|------------------------|--------------------------|----------|------------|-------------|-------------------|---------------------|--|--|--|--|-------------------------|---------------------------|-------|
| 15 | 11000083 | TUBO GOMA NEGRA Ø17*10 | BLACK RUBBER PIPE Ø17*10 | 1 | 1 | 1 | 1 | 1 | | | | | | | |
| | Q881302000 | ABRAZADERA 12/20 | CLAMP 12/20 | 2 | 2 | 2 | 2 | 2 | | | | | | | |
| 16 | 12023794 | ELECTROVALVULA DOBLE | DOUBLE SOLENOID VALVE | 1 | 1 | 1 | 1 | 1 | | | | | | | |
| 17 | 12025198 | MANGUERA ENTRADA AGUA | WATER INTAKE HOSE | 1 | 1 | 1 | 1 | 1 | | | | | | | |
| 18 | 11000083 | TUBO GOMA NEGRA Ø17*10 | BLACK RUBBER PIPE Ø17*10 | 1 | 1 | 1 | 1 | 1 | | | | | | | |
| | Q881302000 | ABRAZADERA 12/20 | CLAMP 12/20 | 2 | 2 | 2 | 2 | 2 | | | | | | | |
| 19 | 12024568 | VALVULA ANTIRRETORNO | NON-RETURN VALVE | 1 | 1 | 1 | 1 | 1 | | | | | | | |
| | Q881302000 | ABRAZADERA 12/20 | CLAMP 12/20 | 2 | 2 | 2 | 2 | 2 | | | | | | | |
| 20 | 12024192 | RACORD EN CRUZ | DIAGONAL CONNECTION | 1 | 1 | 1 | 1 | 1 | | | | | | | |
| | | | | | | | | | | | | | | | |
| | | | | | | | | | | | | | | | |
| | | | | | | | | | | | | | | | |
| | | | | | | | | | | | | | | | |
| | | | | | | | | | | | | | | | |
| | | | | | | | | | | | | | | | |
| | | | | | | | | | | | | | | | |
| | | | | | | | | | | | | | | | |
| | | | | | | | | | | | | | | | |
| | | | | | | | | | | | | | | | |
| | | | | | | | | | | | | | | | |
| | | | | | | | | | | | | | | | |
| | | | | | | | | | | | | | | | |
| | | | | | | | | | | | | | | | |



ITEM MARCADO EN COLOR = REPUESTO RECOMENDADO
 COLOURED ITEM = RECOMMENDED SPARE PART

| | | | | | | |
|---------|------------------|---------|--------------------|---|--------|--|
| N plano | Firma | Fecha | Aparato | PARTE FUNCIONAL ELECTRICA / ELECTRICS FUNCTIONAL PART | Lamina | |
| C-3159 | name (signature) | 2013-11 | LAVAVASOS EASY-400 | | 6 | |

| MOD. | | LAVAVASOS / GLASSWASHER | | ZONA / ZONE | | PARTE FUNCIONAL ELECTRICA ELECTRICS FUNCTIONAL PART | | | | | PLANO DIAGRAM | | C-3159 | |
|------|---------------------|--------------------------------|------------------------------|-------------|------------|--|-------------------|---------------------|--|--|------------------|-------------------------|---------------------------|-------|
| ITEM | CODIGO REFERENCE | DENOMINACION | DENOMINATION | EASY-400 | EASY-400 B | EASY-400 DD | EASY-400 DD UK | EASY-400 B DD UK | | | | ELIMINADO ELIMINATED | INTRODUCID. INTRODUCED | NOTAS |
| 1 | 12024066 | AMARRE INTERRUPT. MAGNETICO | MAGNETIC SWITCH FASTENER | 1 | 1 | 1 | 1 | 1 | | | | | | |
| | Q232030000 | ARANDELA A5 | WASHER A5 | 1 | 1 | 1 | 1 | 1 | | | | | | |
| | Q152004000 | TORNIL, APLASTADO M5x13 A304 | FLAT HEADED BOLT M5x13 | 1 | 1 | 1 | 1 | 1 | | | | | | |
| | Q162030000 | TUERCA EXAGONAL M5 | HEXAGONAL NUT M5 | 1 | 1 | 1 | 1 | 1 | | | | | | |
| 2 | 12024477 | INTERRUPTOR MAGNETICO | MAGNETIC SWITCH | 1 | 1 | 1 | 1 | 1 | | | | | | |
| 3 | 12024350 | CAMARA PRESOSTATO | PRESSURE SWITCH | 1 | 1 | 1 | 1 | 1 | | | | | | |
| 4 | 12024157 | EMPALME PRESOSTATO | PRESSURE SWITCH CONNEX | 1 | 1 | 1 | 1 | 1 | | | | | | |
| 5 | 12024222 | TORNILLO PRESOSTATO | PRESSURE SWITCH BOLT | 1 | 1 | 1 | 1 | 1 | | | | | | |
| | 12009873 | JUNTA TORICA 16.01X10.77X2.62 | O-RING 16.01X10.77X2.62 | 3 | 3 | 3 | 3 | 3 | | | | | | |
| 6 | 11000066 | TUBO GOMA NEGRO D 8*4 | BLACK RUBBER PIPE Ø 8*4 | 1 | 1 | 1 | 1 | 1 | | | | | | |
| | P102154000 | BRIDA ELASTICA TUBO | ELASTIC PIPE FLANGE | 2 | 2 | 2 | 2 | 2 | | | | | | |
| 7 | 12023803 | PRESOSTATO SIMPLE | SIMPLE PRESSURE SWITCH | 1 | | 1 | 1 | | | | | | | |
| 7 | 12024981 | PRESOSTATO TRIPLE 5-6,50bar | TRIPLE SWITCH 5 to 6.50 bar | | 1 | | | 1 | | | | | | |
| S/Nº | 12023163 | SOPORTE PRESOSTATO | PRESSURE SWITCH SUPPORT | 1 | 1 | 1 | 1 | 1 | | | | | | |
| | Q082032000 | TORNILLO ALOMADO BZ-3,5X9,5 | CURVED SCREW BZ-3.5x9.5 | 1 | 1 | 1 | 1 | 1 | | | | | | |
| | Q242030000 | ARANDELA ABANICO A5 A.304 | FAN WASHER A5 A.304 | 1 | 1 | 1 | 1 | 1 | | | | | | |
| | Q162030000 | TUERCA EXAGONAL M5 | HEXAGONAL NUT M5 | 1 | 1 | 1 | 1 | 1 | | | | | | |
| 8 | 12023706 | RELE 230V. 16A 50-60 HZ | RELAY 230V. 16A 50-60 HZ | 1 | 1 | 1 | 1 | 1 | | | | | | |
| 9 | 12024011 | CONTACTOR 230 V. 50-60 HZ | CONTACTOR 230 V. 50-60 HZ | 2 | 2 | 2 | 2 | 2 | | | | | | |
| 10 | 12024230 | RETENEDOR DE CABLE | CABLE HOLDER | 1 | 1 | 1 | 1 | 1 | | | | | | |
| 11 | 12024382 | REGLETA 40A 10mm2 3vía 5MM Pas | STRIP 40A 10mm2 3vía 5MM P | 1 | 1 | 1 | 1 | 1 | | | | | | |
| | Q032021000 | TORNILLO ALOMADO M4X10 | CURVED SCREW M4X10 | 1 | 1 | 1 | 1 | 1 | | | | | | |
| | Q162020000 | TUERCA EXAGONAL M4 | HEXAGONAL NUT M4 | 1 | 1 | 1 | 1 | 1 | | | | | | |
| 12 | 12024873 | PROGRAMADOR CICLO | CYCLE PROGRAMMER | 1 | 1 | 1 | 1 | 1 | | | | | | |
| | 12024067 | CASQUILLO | BUSHING | 2 | 2 | 2 | 2 | 2 | | | | | | |
| 13 | 12046882 | FRENTE EXTRAIB. ASBER 2100B | REMOV. FRONT ASBER 2100B | 1 | 1 | 1 | 1 | 1 | | | | | | |
| S/Nº | 12093176 | EMBELLECEDOR ASBER EASY-400 | TRIM ASBER EASY-400 | 1 | 1 | 1 | 1 | 1 | | | | | | |
| 14 | 12024972 | CONMUTADOR DE FUNCIONES | FUNCTIONS SWITCH | 1 | 1 | 1 | 1 | 1 | | | | | | |
| 15 | 12039115 | PULSADOR 250V AC 16A 2vía 1po | BUTTON 250V AC 16A 2vía 1pos | 1 | 1 | 1 | 1 | 1 | | | | | | |
| 16 | 12024254 | PILOTO AMBAR 41227000A4 | AMBER PILOT 41227000A4 | 1 | 1 | 1 | 1 | 1 | | | | | | |
| 17 | 12025211 | PILOTO VERDE 41227000C7 | GREEN PILOT 41227000C7 | 1 | 1 | 1 | 1 | 1 | | | | | | |

